



GatorLink™ - Media Converter with PoE or PoE+



1 Port Remote PoE/PoE+ auto-negotiated unit showing hybrid cable connection

The GatorLink is a fiber/copper media converter and PoE/PoE+ extender in one unique, patented package. It is the perfect solution for extending Power over Ethernet beyond 100 meters. Whether you are taking PoE to security cameras, wireless access points, VoIP phones or access controls, GatorLink can be easily installed without adding a power outlet. As part our Fiber Connections' Chameleon system, units take power from the equipment room end all the way to your remote locations – using hybrid fiber and power cables. GatorLinks can be configured in a point-to-point network (single channel) or as part of a larger, distributed network.

APPLICATIONS

- Security Camera Networks
- Wireless Access Points
- FTDD - VoIP phones and thin clients
- Secure Government Networks
- Large Retail and distribution sites
- Ports and Rail stations
- Intelligent Transportation Systems

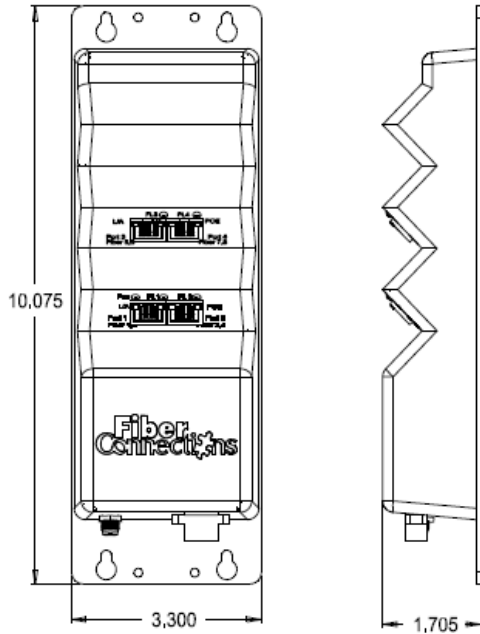


Custom 6-port GatorLink w/ 4 PoE and 2 fiber pass-thru ports – clear shell

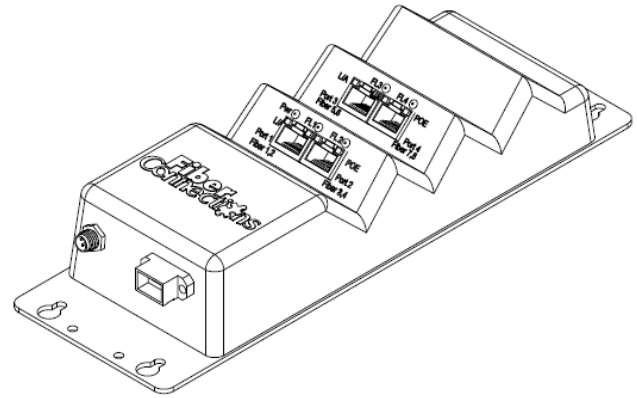
Features/Benefits

- 'Remote locate' with push of a button
- PoE and PoE+ options
- 10/100Mb/s and 1000Mb/s options
- Power with hybrid cable or local power supply
- Multimode or single mode fiber
- Many custom options available
- Up to 4 media converters per unit
- Fiber pass-through port options
- LC, SC or MTP fiber connector options
- Standard RJ45 copper interface

Sample GatorLink Part Numbers and Descriptions	
GR10APSMLOB-001	GatorLink 1-port, Remote, 10/100, 100BaseFx, MM, PoE, LC/RJ45
GS10APSMNLNB-001	GatorLink 1-port, Source, 10/100, 100BaseFx MM, PoE, LC/RJ45, AC power cord
GR10BPPML0B-001	GatorLink 1-port, Remote, 10/100/1000Mb/s, 1000BaseSx, PoE+, MM, LC, RJ45
GS10BPPMLNB-001	GatorLink 1-port, Source, 10/100/1000Mb/s, 1000BaseSx, PoE+, MM, LC, RJ45, power cord
GR10APPML0B-001	GatorLink 1-port, Remote, 10/100Mb/s, 100BaseFx, MM, PoE+, LC/RJ45
GS10APPMLNB-001	GatorLink 1-port, Source, 10/100Mb/s, 100BaseFx, MM, PoE+, LC/RJ45, power cord
GR40BPPMM0B-001	GatorLink 4-port, 10/100/1000Mb/s, 1000BaseSx, PoE+, MM, MTP, RJ45
GR40APPMM0B-001	GatorLink, 4-port 10/100Mb/s, 100BaseFx, PoE+, MTP(m), MM, RJ45
GR42APS9M0B-002	GatorLink 12F, 4 media converters, 2 LC Duplex pass-through, 10/100Mb/s, 100BaseFx, PoE



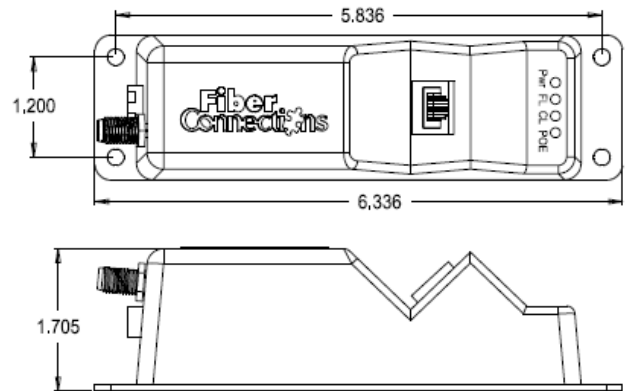
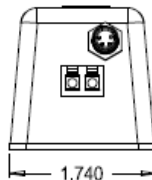
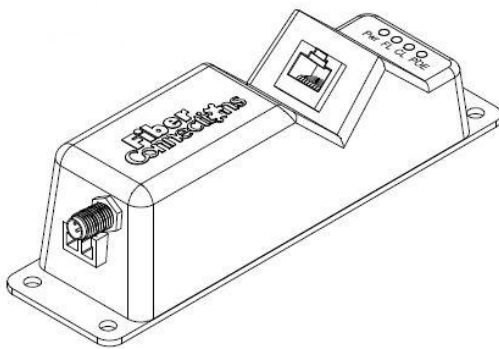
4-Port GatorLink



Distances supported to remote GatorLinks, using hybrid fiber/power cable - then up to 100m further with PoE or PoE+ to the remote powered device

	12 AWG	18 AWG
1-port PoE	1175 meters	305 meters
1-port PoE+	650 meters	165 meters
4-port PoE	290 meters	75 meters
4-port PoE+	165 meters	40 meters

1-Port GatorLink



All dimensions are in inches



1-port GatorLink Technical Specifications

Standards	Ethernet IEEE Std. 802.3i/u/ab/z, Power Over Ethernet IEEE 802.3af/at	
Housing	ABS/Acrylic 'stepped' shell (UL94-V0 rated) mounted to a metal base plate, fiber and power enters housing on end face and copper port (RJ45) is mounted on the step face. Size is 6.4 x 1.75 x 1.7 in.	
Power Source	100 -240VAC External Power Supply with North American receptacle/plug AC cord. Power usage 1.5 watts plus 0 to 15 watts (typically 5 watts) passed to POE peripherals and up to 34W to PoE+.	
Channels	One media conversion channel	
Fiber Optic Ports	Fiber Optic Port	LC duplex
	Fiber Type	62.5/125µm, 50/125µm
	Fiber Tx/Rx Speed	100BaseFx or 1000BaseSx
	Mode	Full or Half Duplex
	Distance	up to 2 km
	Optical Loss Budget	10-15dB
Copper Ports	Mode	Half duplex or full duplex auto negotiated
	Distance	100M (330 ft) cat 5
	POE or PoE+	Injected voltage: 44-56V, max output 15W (PoE), and 50-57V, max output 34W(PoE+)
	RX/TX Cross-over	Auto MDI, MDIx configuration
Indicators	Power On LED, Fiber Link/Activity LED, Copper Link/Activity LED, POE Active LED	
Weight	Source, External Power Supply and cord: 1.75 lb; RPP remote: 1.25 lb	
Temperature	Storage: -25 to 85 degrees C	
Environment	0 -90% non condensing humidity	
	0-10,000 ft altitude	
Compliance	Safety: ANSI/UL 60950-1. FCC Part 15 Subpart B	



4-port Remote Technical Specifications

Standards	Ethernet IEEE Std. 802.3i/u/ab/z, Power Over Ethernet IEEE 802.3af or 802.3at (PoE+)	
Controls	Automatic Operation, Fiber full/half duplex switch available on some models	
Housing	ABS/Acrylic stepped shell (UL94-V0 rated) mounted to a metal base plate. 10"x3.3"x1.7"	
Power Source	Generally from hybrid cable connection. 12awg or 18awg cable connected to M8 or terminal blocks	
Channels	Up to 4 independent media conversion channels using up to 8 fibers in the Fiber Optic Port (MTP connector)	
Fiber Optic Ports	Fiber Optic Port	MTP Adapter or MTP Connectorized Cable Tail
	Fiber Type	62.5/125µm, 50/125µm
	Wavelength	850nm or 1300nm for MM;
	Fiber Tx/Rx Speed	100BaseFx or 1000BaseSx
	Mode	Half or Full Duplex
	Distance	MM - max. 2 km
	Optical Loss Budget	MM: 10 to 15dB depending on configuration
Copper Ports	Copper Rx/Tx Speed	10/100Mb/s or 10/100/1000Mb/s auto negotiated
	Mode	Half duplex or full duplex auto negotiated
	Distance	100M (330 ft) cat 5
	POE or PoE+	Injected voltage: 44-56V, max output 15W (PoE), and 50-57V, max output 34W(PoE+)
	RX/TX Cross-over	Auto MDI, MDIx configuration
Indicators	Power On LED	
	Fiber Link/Activity LED for each media conversion channel	
	POE Active LED for each media conversion channel	
Weight	approx. 2.5lbs	
Temperature	Operating: 0 to 50°C, (Extended range available), Storage: -25 to 80° degrees C	
Environment	0 -90% non-condensing humidity, 0-10,000 ft altitude	
Compliance	CE, FCC Part 15	

All specifications are subject to change without notice. Please contact Fiber Connections for up-to-date information.