



GatorLink™



The GatorLink is a media converter and PoE extender. It is the perfect solution for extending Power over Ethernet beyond 100 meters. Whether you are taking PoE to security cameras, wireless access points, VoIP phones or access controls, GatorLink can be easily installed without adding a power outlet. As part our Fiber Connections' Chameleon system, we take power from the equipment room end all the way to your remote locations – saving installation costs and allowing equipment to be installed exactly where you need it. It can be configured in a point-to-point network (single channel) or be used as part of a larger, distributed network – distributing data and power hundreds of meters away from your equipment room.

APPLICATIONS

- Security Camera Networks
- Wireless Access
- FTTD - VoIP phones and thin clients
- Secure Government Networks
- Large Retail and distribution sites
- Ports and Rail stations
- Intelligent Transportation networks



Features/Benefits

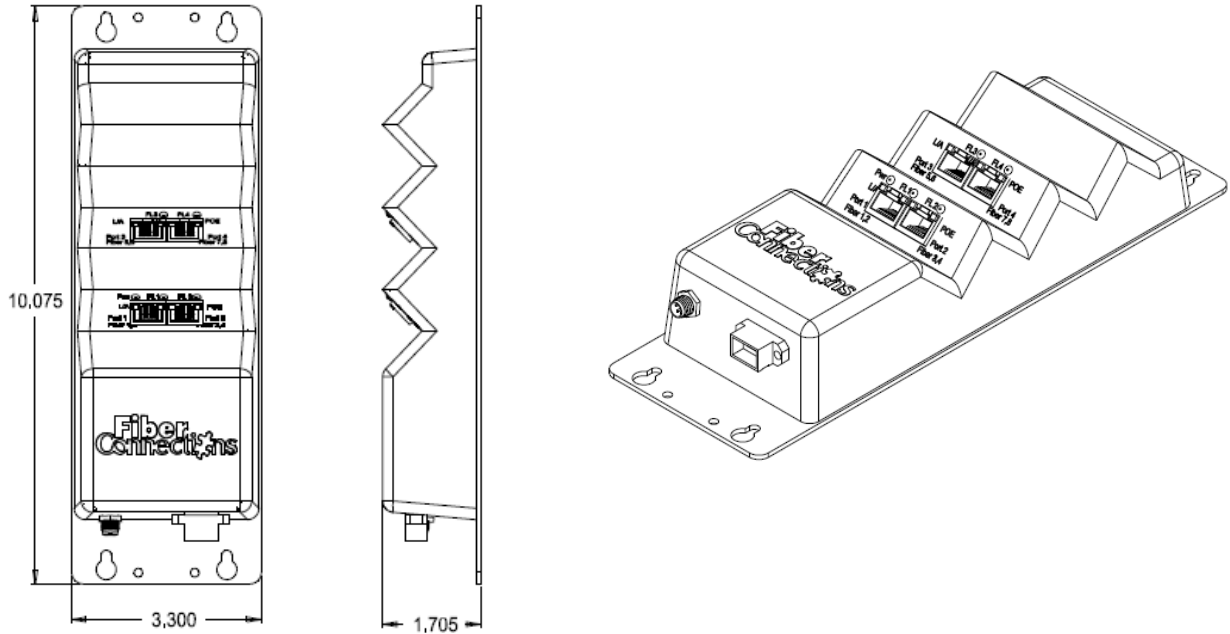
- 'Remote locate' with push of a button
- PoE and PoE+ options
- 10/100/1000Mb/s options
- Power with hybrid cable or local power supply
- Up to 4 media converters per unit
- Multimode or single mode fiber
- LC, SC or MTP fiber connector options
- Standard RJ45 copper interface

Sample GatorLink Part Numbers:

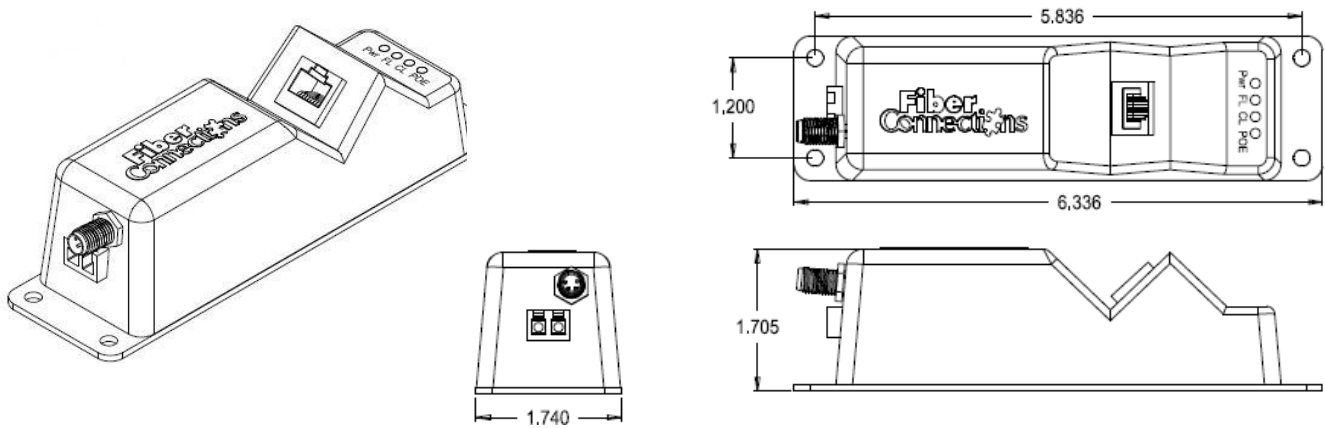
GR10APSMLOB-001	GatorLink-Skinny Remote 1-port 10/100, MM, PoE, LC/RJ45
GS10APSMNLNB-001	GatorLink-Skinny Source 1-port 10/100, MM, PoE, LC/RJ45, AC power cord
GR42APS9M0B-002	GatorLink 4-Port 12F OM3 MTP(m)-4 RJ45, 2 LC Duplex 10/100Mb/s, PoE - locate
GR40APPMM0B-002	GatorLink, 4-port 10/100Mb/s, PoE+, MTP(m), MM, RJ45 - locate
GR10BPSMLOB-001	GatorLink skinny 1000Mb/s, PoE, MM, LC, RJ45
GR40BPSMM0B-001	GatorLink 4-port, 1000Mb/s, PoE, MM, MTP, RJ45
GR10APPML0B-001	GatorLink-Skinny Remote 1-port 10/100, MM, PoE+, LC/RJ45
GS10APPMLNB-001	GatorLink-Skinny Source 1-port 10/100, MM, PoE+, LC/RJ45



4-Port GatorLink



1-Port GatorLink





GatorLink Technical Specifications

Standards	Ethernet IEEE Std. 802.3i/u/ab/z, Power Over Ethernet IEEE 802.3af (PoE) or 802.3at (PoE+)	
Controls	Automatic Operation, Fiber full/half duplex switch available on some models	
Housing	ABS/Acrylic stepped shell (UL94-V0 rated) mounted to a metal base plate.	
Power Source	95 -240VAC External Power Supply with choice of electrical plug. Power usage 1.5 watts per media converter channel plus 0 to 16 watts (typically 5 watts) per channel passed to POE peripherals	
Channels	Up to 4 independent media conversion channels using up to 8 primary fibers in the Primary Fiber Optic Port, other primary fibers can be passed through via LC or SC connectors	
Fiber Optic Ports	Primary Fiber Optic Port Interconnection	MTP Adapter or MTP Connectorized Cable Tail or LC duplex (single port version)
	Pass Through Fiber Port	SC or LC adapters
	Fiber Type	62.5/125µm, 50/125µm, 50/125µm Laser Optimized or Single Mode
	Wavelength	850nm or 1300nm for MM; 1310nm or 1550nm for SM
	Fiber Tx/Rx Speed	100Mb/s or 1Gb/s
	Mode	Half or Full Duplex
	Distance	MM - 2 km; SM (@1310nm) - 20 km; SM (1550nm) -60km
	Optical Loss Budget	MM: 10 to 15dB depending on configuration SM: 16 to 29dB depending on configuration
Copper Ports	Copper Port Interconnection	RJ-45 (8P8C) Modular Socket connectors
	Input power connections	Punch down block connectors or M8
	Copper Rx/Tx Speed	10/100Mb/s auto negotiated or 1000Mb/s
	Mode	Half duplex or full duplex auto negotiated
	Distance	100m (330 ft) cat 5
	POE	36-57VDC up to .35A PSE output, PD detection signature, over current protection, under current detection (802.3af and 802.3at)
	RX/TX Cross-over	Auto MDI, MDIX configuration
Indicators	Power On LED Fiber Link/Activity LED for each media conversion channel Copper Link/Activity LED for each media conversion channel POE Active LED for each media conversion channel Port Ident LED available on some models	
Weight	GatorLink, External Power Supply and cord: 1.2 to 3.5 lb depending on configuration	
Temperature	Operating: 0 to 50°C, (Extended range available), Storage: -25 to 75° C	
Environment	0 -90% non-condensing humidity, 0-10,000 ft altitude	
Compliance	CE, FCC Part 15	