

Splice Panel

Fiber Connections’ Swing-out, Rack Mounted Splice Panels are designed to provide easy access for splicing any trunk cable to cable harnesses for easy patching. The panels can accommodate either indoor or outdoor fiber cables. The angled adapter plates are fitted with simplex or duplex adapters. The swing out feature of the panel allows for easy access to the back of the adapters, the splice trays, and the external cable. Cable management features control the bend radius of the cable during the swing out operation. A protective, clear plastic front cover is also included to protect the patch cords connecting to the front of the panel.

The panels are fabricated from sheet aluminum with a robust black powder coat with a textured finish. Hardware is made from nickel or chromate plated steel. Rear openings are equipped with grommets to protect cables. Cable management features are included in the panels.



FEATURES/BENEFITS

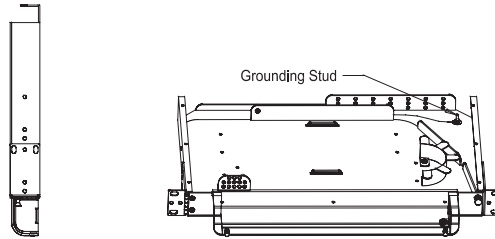
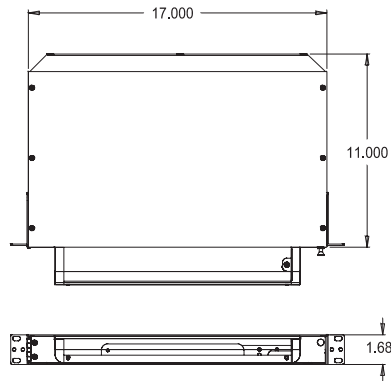
- Fast and easy installation in an equipment rack
- FDMs or adapter plates mount with simple twist-lock fasteners
- Modular design makes adds and changes easy
- Swing out feature provides easy access to front and rear connectors
- Compact – 48 fibers in a 1U open and 48 in a 1U closed panel
- Accommodates industry standard connectors and cables
- Large, sturdy slack management brackets

ORDERING INFORMATION

Part Number	Description
RMM0675-1	Swing-out 1U Panel w/ Lexan Cover
RMM0675-1A	Swing-out 1U Panel, 12 Port Kit, w/ Lexan Cover
RMM0675-1K	Swing-out 1U Panel, 24 Port Kit, w/ Lexan Cover
RMM0675-2	Swing-out 2U Panel w/ Lexan Cover
RMM0675-2K	Swing-out 2U Panel, 48 Port Kit, w/ Lexan Cover
Swing-out Panel kits include SC adaptor plates, splice trays and splice sleeves appropriate to the number of ports required	

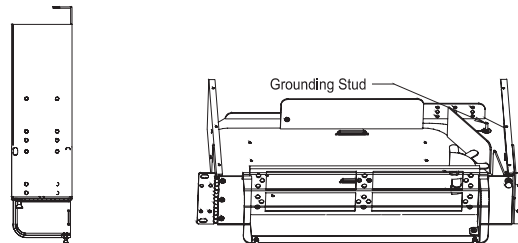
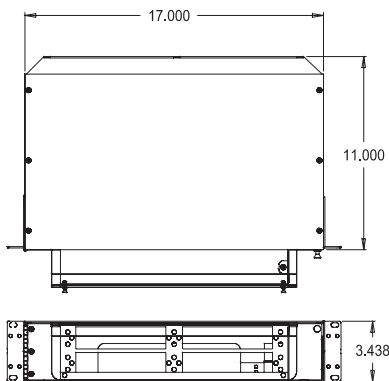
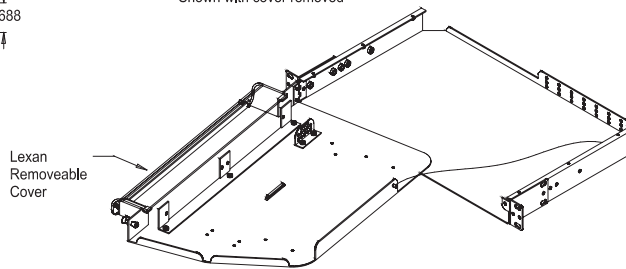


PHYSICAL INFORMATION



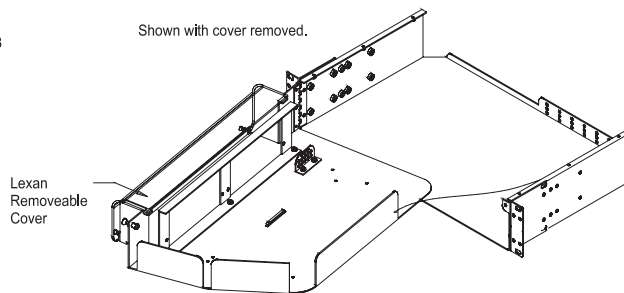
Shown with cover removed

1U Splice Panel



Shown with cover removed.

2U Splice Panel



TECHNICAL SPECIFICATIONS

Characteristic	Description
Material	Sheet aluminum chassis and brackets
Finish	Black powder coat light texture
Dimensions	As shown in drawing