



Wall and Ceiling Mounted Housings

Fiber Connections’ Wall and Ceiling Mounted Fiber Optic Housings are ideal for telecommunications. Closets, when rack space is not available or for mounting anywhere fiber distribution may be required. These enclosures provide easy access and installation for Fiber Distribution Modules (FDM) or standard adapter panels and can accommodate loose tube or tight buffered cable.

Wall Mounted Housings are constructed from sheet steel or aluminum with a robust black powder coat with a light textured finish. Ceiling Mounted Housings are available in a white finish suitable to replace and blend in with ceiling tile.

An optional locking kit is available for extra security on wall mounted housings.



FEATURES

- Lockable option provides added security
- Identification labels make link management easy
- Preloaded options install quickly saving costs
- Cable entry grommets prevent damage
- Cable management features route cables properly and provide bend radius control
- RoHS compliant



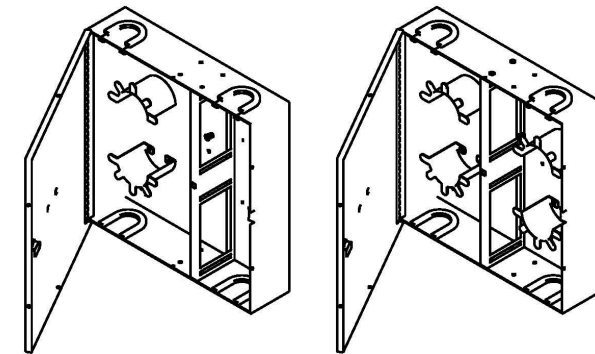
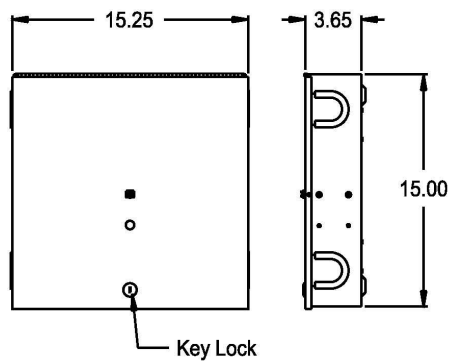
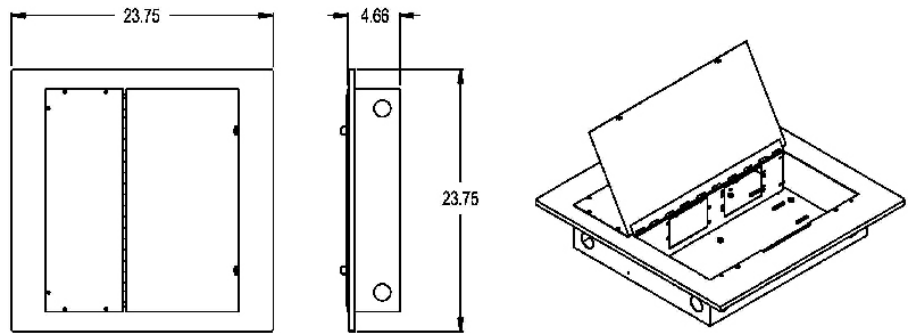
ORDERING INFORMATION

| Part Number | Description |
|-------------|---|
| WM04-A5 | Enclosed Wall Mounted Housing for 5" FDMs |
| WM05-A5 | Enclosed Wall Mounted Consolidation Housing for 5" FDMs |
| ZIP0860-1 | Ceiling Mounted Zone Interconnect Panel Style for 4 Adapter Strips |
| ZIP0860-2 | Ceiling Mounted Zone Interconnect Panel Mini Rack Style for up to 2 RU panels |



PHYSICAL INFORMATION

Enclosed Ceiling Mounted Zone Box



Enclosed Wall Mounted Consolidation Housing

TECHNICAL SPECIFICATIONS

- Material - Sheet aluminum
- Black or white powder coat finish